

# Product datasheet

Specifications



## Tower Light - RG - 24V - LED - W. Buzzer - Tube mounting with "L" bracket

XVGB2S

### Main

Range of product	Harmony XVG
product or component type	Complete pre-wired monolithic tower light
Beacon or indicator bank unit type	2 illuminated units
Material	PC (UL94 V-2): globe ABS (UL94HB): tube body Aluminium: tube
Mounting diameter	60 mm
Component name	XVG
device mounting	Tube with L bracket
Light source	LED steady red LED steady amber
Light block color	Red/green
Indicator bank base type	Base with integrated buzzer

### Complementary

rated supply voltage	24 V AC/DC
cable cross section	0.33 mm <sup>2</sup>
Discrete output type	PNP and NPN
[Uimp] rated impulse withstand voltage	0.5 kV
Current consumption	140 mA
Noise level	85 dB
power consumption in W	3.1 W
Fundamental frequency	2.64 kHz
net weight	0.43 kg

### Environment

Product certifications	CE EAC
Ambient air temperature for storage	-35...70 °C
Ambient air temperature for operation	-10...50 °C
IP degree of protection	IP23

### Packing Units

<b>Unit Type of Package 1</b>	PCE
<b>Number of Units in Package 1</b>	1
<b>Package 1 Height</b>	8.6 cm
<b>Package 1 Width</b>	14.3 cm
<b>Package 1 Length</b>	55.8 cm
<b>Package 1 Weight</b>	625.0 g
<b>Unit Type of Package 2</b>	S04
<b>Number of Units in Package 2</b>	5
<b>Package 2 Height</b>	30 cm
<b>Package 2 Width</b>	40 cm
<b>Package 2 Length</b>	60 cm
<b>Package 2 Weight</b>	3.2 kg

## Contractual warranty

<b>Warranty</b>	18 months
-----------------	-----------

## Sustainability

**Green Premium™ label** is Schneider Electric's commitment to delivering products with best-in-class environmental performance. Green Premium promises compliance with the latest regulations, transparency on environmental impacts, as well as circular and low-CO<sub>2</sub> products.

**Guide to assessing product sustainability** is a white paper that clarifies global eco-label standards and how to interpret environmental declarations.

[Learn more about Green Premium >](#)

[Guide to assess a product's sustainability >](#)



Transparency RoHS/REACH

## Well-being performance

Mercury Free

Rohs Exemption Information Yes

## Certifications & Standards

Reach Regulation [REACH Declaration](#)

Eu Rohs Directive Pro-active compliance (Product out of EU RoHS legal scope)

China Rohs Regulation [China RoHS declaration](#)

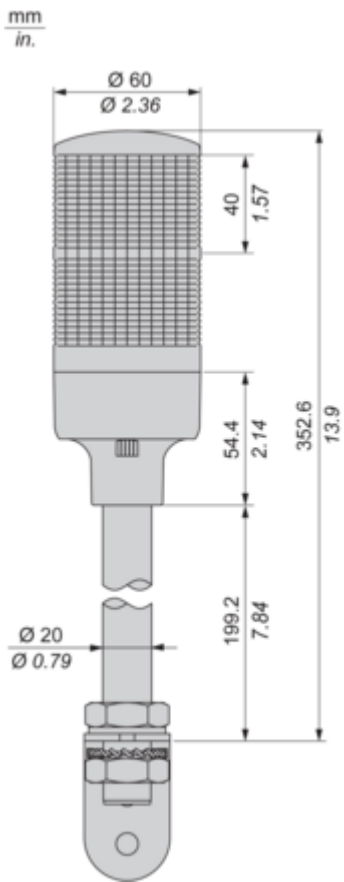
Environmental Disclosure [Product Environmental Profile](#)

Circularity Profile [End of Life Information](#)

Dimensions Drawings

Dimensions

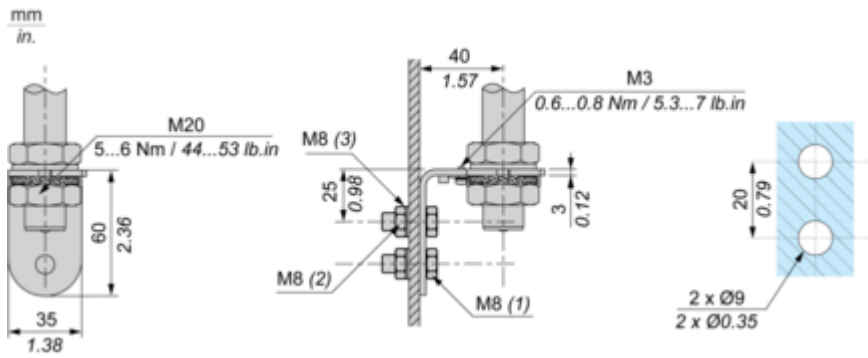
---



Mounting and Clearance

Mounting

---

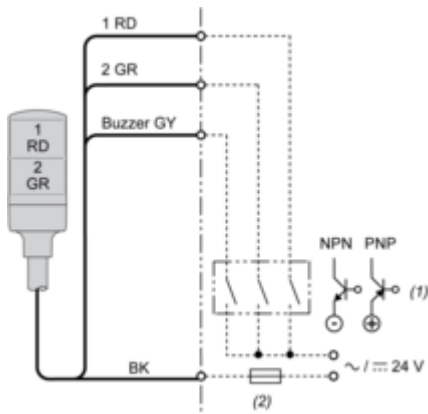


- (1) Thickness +10 mm/0.39 in
- (2) Hexagon Nut
- (3) Washer

Connections and Schema

Wiring

---



(1) "ON" for lighting and/or applying continuous sound.

(2) Fuse (rated current: 0.5 A)

RD : Red

GR : Green

GY : Grey

BK : Black